

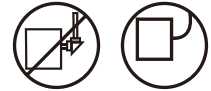
# INSTALLATION INSTRUCTIONS FOR PICTOGRAM EXIT SIGN AND EMERGENCY LIGHT COMBINATION

## IMPORTANT SAFEGUARDS READ AND FOLLOW ALL SAFETY INSTRUCTIONS

### CAUTION

1. review the diagram thoroughly before beginning.
2. All electrical connections must be in accordance with local codes, ordinances, and the National Electric Code.
3. Disconnect power at fuse or circuit breaker before installing or servicing.
4. Do not use outdoors.
5. Do not mount in hazardous locations, or near gas or electric heaters.
6. Do not let power cords touch the hot surface.
7. Equipment should be mounted in locations and heights where it will not be subjected to tampering by unauthorized personnel.
8. The use of accessory equipment which is not recommended by the manufacturer may cause an unsafe condition.
9. Do not use this equipment for other than intended use.
10. All serving should be performed by a qualified personnel only.
11. Allow the battery to charge for 24 hours before first use.

Use Flexible Conduit Only



## SAVE THESE INSTRUCTIONS

### WIRING DIAGRAM(FIG. 1)

#### AC WIRING

Connect the white wire to White COMM.  
If using 120V, connect the black wire to the hot lead.  
If using 277V, connect the orange wire to the hot lead.  
Cap the unused lead.

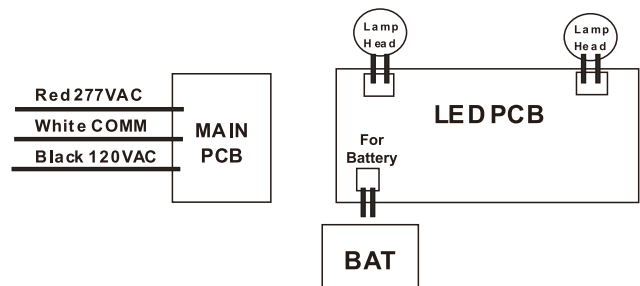
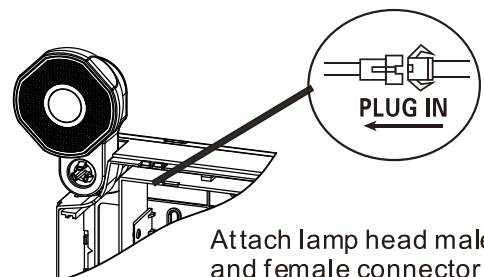


FIG 1

### WIRING DIAGRAM(FIG. 2)

1. Open front cover with a flat screwdriver.
2. Snap lamp head on the 2 corners of the frame.  
If the unit is ceiling mount or sidemount, lamp head can assemble backward.
3. Alach 2 pcs lamp heads male and female connector together.



Attach lamp head male and female connector

FIG 2

## SIDE/CEILING MOUNTING (FIG. 4&5)

1. Attach crossbar to J-box, set the crossbar so that the longer blade is touching the J-box.
2. Open the front cover and assemble 2 pcs lamp heads on the frame.
3. If double face is desired, replace back plate with additional face plate provided.
4. Remove out the mounting hole cover on the top or side of the unit, assemble the canopy (Fig.6)
5. Route the proper wires through mounting hole out of the housing.
6. Make electrical connections inside the J-box as the wiring diagram.
7. Push excess wire into J-box, use screws tighten canopy to crossbar so that canopy is securely fastened and tight against the wall.
8. Attach battery connector to PC board, restore front panel on the unit, adjust the position of lamp heads as need.

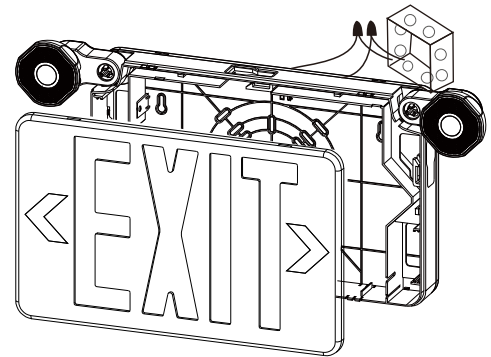


FIG 3

Wall mounting

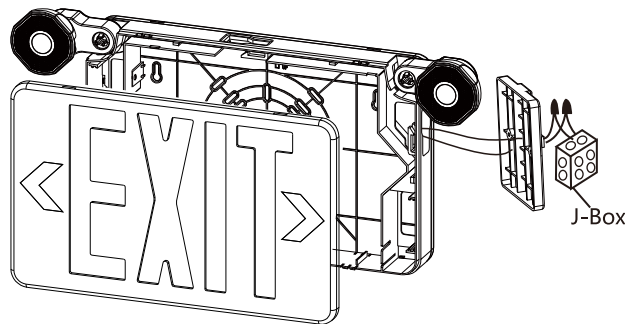


FIG 4

Side mounting

Ceiling mounting

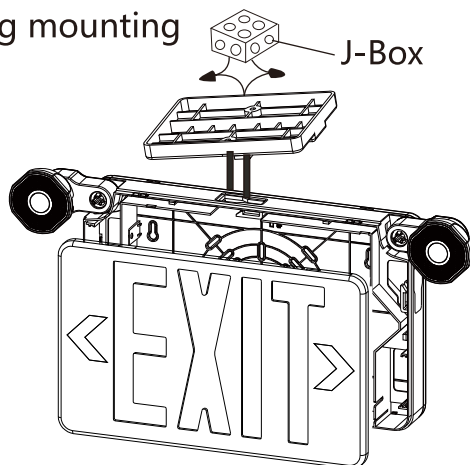


FIG 5

## Canopy assembly

Insert canopy into housing at 20 degree angle and twist. Quick snap is now locked firmly. Caution: Trying to remove canopy after it is locked in place may cause damage.

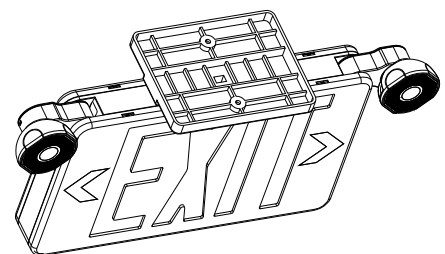


FIG 6